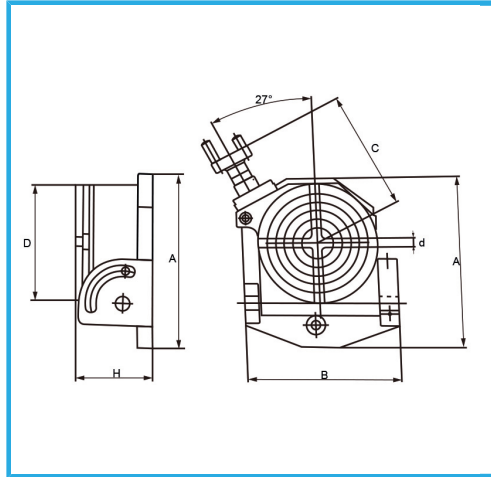


FOR PRECISE POSITIONING OF BOTH ROTATION AND INCLINATION  
THANKS TO THE GRADUATIONS ON THE HANDWHEEL AND ON TILT  
LOCKING LEVER....



<b>A</b>	143 mm
<b>B</b>	130 mm
<b>C</b>	105 mm
<b>D</b>	102 mm
<b>d</b>	18 mm
<b>H</b>	68 mm
<b>Revolution</b>	360°
<b>Tilting table</b>	90°
<b>Ratio</b>	1:36
<b>Slots</b>	4 x 6.35 mm   5/16" N° / mm
<b>Horizontal height</b>	102 mm
<b>Net weight</b>	5 kg
<b>Packaging dimensions</b>	240x170x90 h mm
<b>Gross weight</b>	5,98 kg
<b>EAN Code</b>	8012667349776



Box