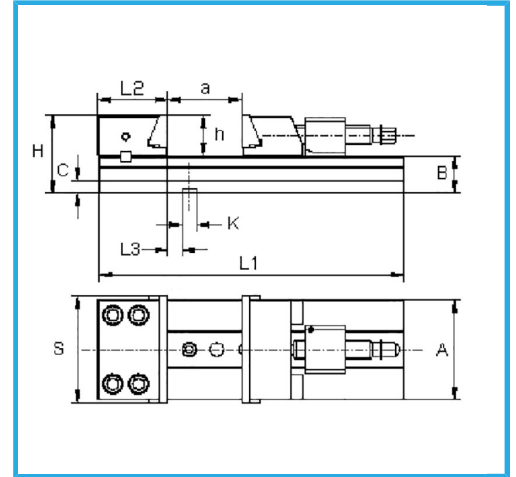
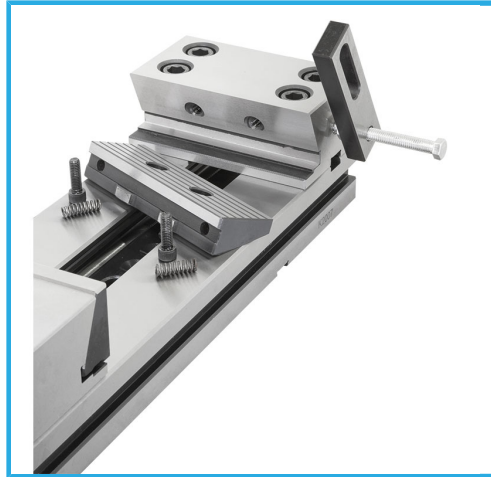
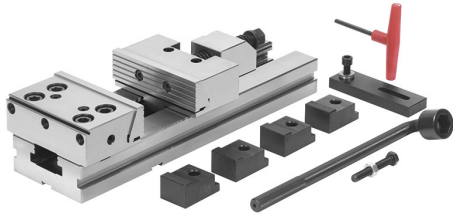


SUITABLE FOR JOBS WHERE PRECISION, RELIABILITY, AVAILABILITY AND SECURE LOCKING ARE REQUIRED. SUITABLE FOR PRECISION MILLING AND..



|                             |                  |
|-----------------------------|------------------|
| <b>Jaw dimensions</b>       | 150 x 50h mm     |
| S                           | 150 mm           |
| A                           | 125 mm           |
| B                           | 50 mm            |
| C                           | 20 mm            |
| H                           | 100 mm           |
| L1                          | 420 mm           |
| L2                          | 89,4 mm          |
| L3                          | 25,6 mm          |
| h                           | 50 mm            |
| K h7                        | 16 mm            |
| a                           | 200 mm           |
| <b>Net weight</b>           | 26 kg            |
| <b>Packaging dimensions</b> | 480x200x180 h mm |
| <b>Gross weight</b>         | 31,00 kg         |
| <b>EAN Code</b>             | 8012667245238    |



Wooden Box



Tempered



Grounded



Steel