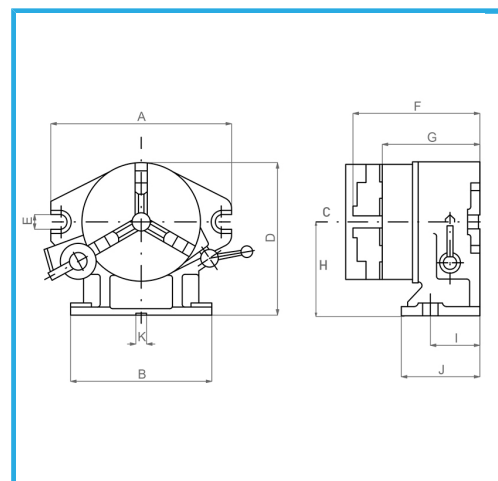
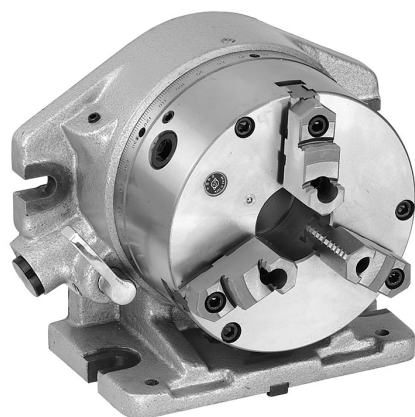


IT ALLOWS YOU TO HAVE VARIOUS TYPES OF DIVISIONS BASED ON THE TYPE OF DISC MOUNTED. DIVISION IS DONE AUTOMATICALLY USING THE...



Dividing	2 - 3 - 4 - 6 - 8 - 12 - 24 g
A	310 mm
B	255 mm
C	210 mm
D	259,25 mm
E	18 mm
F	214 mm
G	171,5 mm
H	149,25 mm
I	80 mm
J	130 mm
K	16 mm
Hole	62 mm
Hor. max load	50 kg
Ver. max load	10 kg
Net weight	52 kg
Packaging dimensions	400x380x330 h mm
Gross weight	59,50 kg
EAN Code	8012667003128



Wooden Box