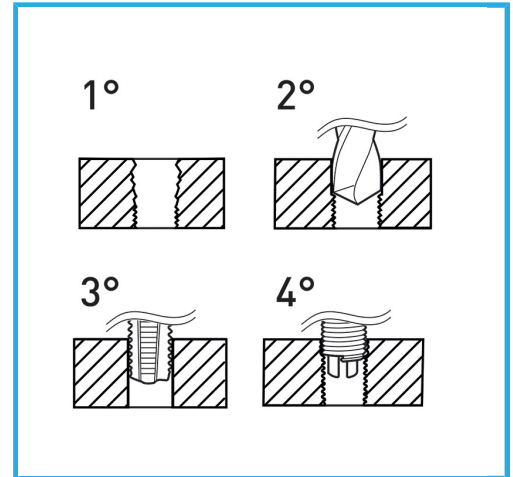


SUITABLE FOR THREAD REGENERATION OR TO OBTAIN VERY RESISTANT TAPPING IN SOFT MATERIALS.



Sizes	M5 - M12
STI Taps	M5 x 0.8 - M6 x 1.0 - M8 x 1.25 - M10 x 1.5 - M12 x 1.75
Drills	5.2 mm - 6.3 mm - 8.3 mm - 10.4 mm - 12.4 mm
Wire-thread inserts	M5=25 M6=25 M8=25 M10=25 M12=10
Inserting tool	5 Pcs
Tang break tool	5 Pcs
Packaging dimensions	370x280x55 h mm
Gross weight	2,38 kg
EAN Code	8012667243999



Carrying case



HSS

-



INOX

-



130 Pcs