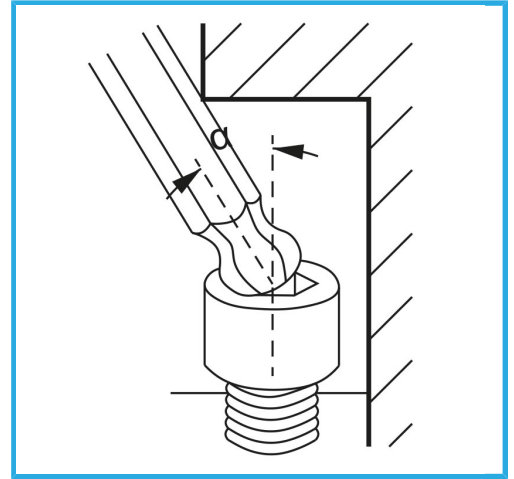


# ART. 0855/T20

TWO WAY TORX AND TAMPERED KEY WITH ANATOMIC PLASTIC HANDLE



Size	T20
Length	100 mm
Gross weight	0,03 kg
Packaging dimensions	190x75x20 h mm
EAN Code	8012667187002



Hangable



Chromed



-



-